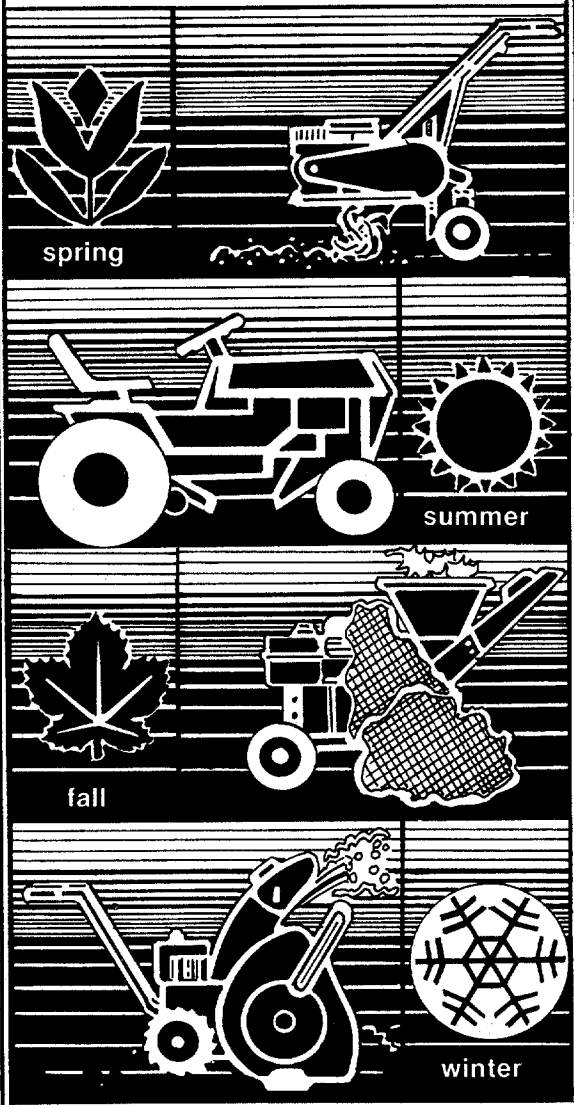


# OWNER'S GUIDE

OUTDOOR POWER EQUIPMENT  
for all seasons



## 22" SELF- PROPELLED ROTARY MOWER

Model Number  
125-222-000

*125-065*

**Important:**  
**Read Safety Rules and**  
**Instructions Carefully**

Thank you for purchasing  
an American-built product.

# INDEX

Safe Operation Practices .....	3	Maintenance .....	11
Assembly .....	4	Off-Season Storage .....	12
Controls .....	8	Trouble Shooting Chart .....	14
Operation .....	9	Illustrated Parts .....	16
Adjustments .....	10	Repair Parts List .....	17, 18
Lubrication .....	11	Parts Information .....	Back Cover



Instructions given with this symbol are for personal safety. Be sure to follow them.

## LIMITED WARRANTY

For one year from the date of original retail purchase, MTD PRODUCTS INC will either repair or replace, at its option, free of charge, F.O.B. factory or authorized service firm, any part or parts found to be defective in material or workmanship. Transportation charges for the movement of any power equipment unit or attachment are the responsibility of the purchaser. Transportation charges for any parts submitted for replacement under this warranty must be paid by the purchaser unless such return is requested by MTD PRODUCTS INC.

This warranty will not apply to any part which has become inoperative due to misuse, excessive use, accident, neglect, improper maintenance, alterations, or unless the unit has been operated and maintained in accordance with the instructions furnished. This warranty does not apply to the engine, motor, battery, battery charger or component parts thereof. Please refer to the applicable manufacturer's warranty on these items.

This warranty will not apply where the unit has been used commercially.

Warranty service is available through your local authorized service dealer or distributor. If you do not know the dealer or distributor in your area, please write to the Customer Service Department of MTD.

The return of a complete unit will not be accepted by the factory unless prior written permission has been extended by MTD.

This warranty gives you specific legal rights. You may also have other rights which vary from state to state.



### WARNING

This unit is equipped with an internal combustion engine and should not be used on or near any unimproved forest-covered, brush-covered or grass-covered land unless the engine's exhaust system is equipped with a spark arrester meeting applicable local or state laws (if any). If a spark arrester is used, it should be maintained in effective working order by the operator.

In the State of California the above is required by law (Section 4442 of the California Public Resources Code). Other states may have similar laws. Federal laws apply on federal lands. A spark arrester muffler is available at your nearest engine authorized service center.



**WARNING**

To reduce the potential for any injury, comply with the following safety instructions. Failure to comply with the instructions may result in personal injury.

## SAFE OPERATION PRACTICES FOR WALK-BEHIND MOWERS

### TRAINING

1. Read this owner's manual carefully in its entirety before attempting to assemble or operate this machine. Be completely familiar with the controls and the proper use of this machine before operating it. Keep this manual in a safe place for future and regular reference and for ordering replacement parts.
2. Your rotary mower is a precision piece of power equipment, not a plaything. Therefore, exercise extreme caution at all times.
3. Never allow children to operate a power mower. Only persons well acquainted with these rules of safe operation should be allowed to use your mower.
4. No one should operate this unit while intoxicated or while taking medication that impairs the senses or reactions.
5. Keep the area of operation clear of all persons, particularly small children and pets. Stop engine when they are in the vicinity of your mower. Although the area of operation should be completely cleared of foreign objects, an object may have been overlooked and could be accidentally thrown by the mower in any direction and cause serious personal injury to the operator or any others allowed in the area.

### PREPARATION

1. Thoroughly inspect the area where the equipment is to be used. Remove all stones, sticks, wire, bones and other foreign objects which could be picked up and thrown by the mower in any direction and cause serious personal injury to the operator or any others allowed in the area.
2. Do not operate equipment when barefoot or wearing open sandals. Always wear substantial footwear.
3. Do not wear loose fitting clothing that could get caught on the mower.
4. Check the fuel before starting the engine. Gasoline is an extremely flammable fuel. Do not fill the gasoline tank indoors, while the engine is running, or while the engine is still hot. Wipe off any spilled gasoline before starting the engine as it may cause a fire or explosion.
5. Disengage the self-propelled mechanism or drive clutch on units so equipped before starting the engine.
6. The blade control handle is a safety device. Never attempt to bypass its operation. Doing so makes the safety device inoperative and may result in personal injury through contact with the rotating blade. The blade control handle must operate easily in both directions.
7. Never attempt to make a wheel or cutting height adjustment while the engine is running.
8. Mow only in daylight or in good artificial light.
9. Never operate the equipment in wet grass. Always be sure of your footing. A slip and fall can cause

serious personal injury. Keep a firm hold on the handle and walk, never run.

### OPERATION

1. Do not change the engine governor settings or overspeed the engine. Excessive engine speeds are dangerous.
2. Do not put hands or feet near or under rotating parts. Keep clear of the discharge opening at all times as the rotating blade can cause injury.
3. Stop the blade when crossing gravel drives, walks or roads.
4. After striking a foreign object, stop the engine, remove the wire from the spark plug, and thoroughly inspect the mower for any damage. Repair the damage before restarting and operating the mower.
5. If the equipment should start to vibrate abnormally, stop the engine and check immediately for the cause. Vibration is generally a warning of trouble.
6. Shut the engine off and wait until the blade comes to a complete stop before removing the grass catcher or unclogging the chute. The cutting blade continues to rotate for a few seconds after the engine is shut off. Never place any part of the body in the blade area until you are sure the blade has stopped rotating.
7. Before cleaning, repairing or inspecting, make certain the blade and all moving parts have stopped. Disconnect the spark plug wire, and keep the wire away from the spark plug to prevent accidental starting.
8. Do not run the engine indoors.
9. Mow across the face of slopes, never up-and-down. Exercise extreme caution when changing direction on slopes. Do not mow excessively steep slopes. Always be sure of your footing. A slip and fall can cause serious personal injury.
10. Always disconnect electric mowers (line operated) before cleaning, repairing or adjusting.
11. Never operate mower without proper guards, plates or other safety protective devices in place.

### MAINTENANCE AND STORAGE

1. Check the blade and engine mounting bolts at frequent intervals for proper tightness.
2. Keep all nuts, bolts, and screws tight to be sure the equipment is in safe working condition.
3. Never store the equipment with gasoline in the tank inside of a building where fumes may reach an open flame or spark. Allow the engine to cool before storing in any enclosure.
4. To reduce fire hazard, keep the engine free of grass, leaves, or excessive grease.
5. Check the grass catcher bag frequently for wear or deterioration. For safety protection, replace only with new bag meeting original equipment specifications.



Reference to right or left hand side of the mower is observed from the operating position.

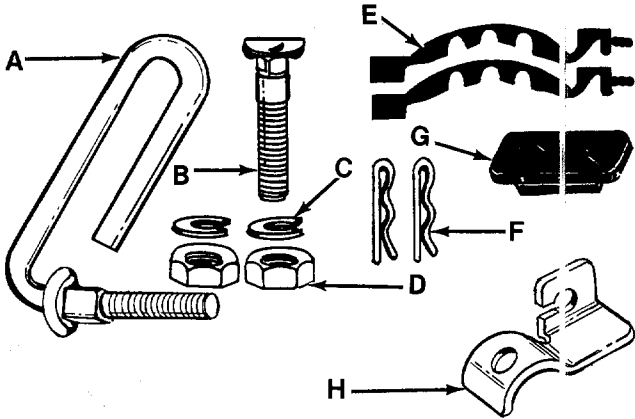


FIGURE 1.

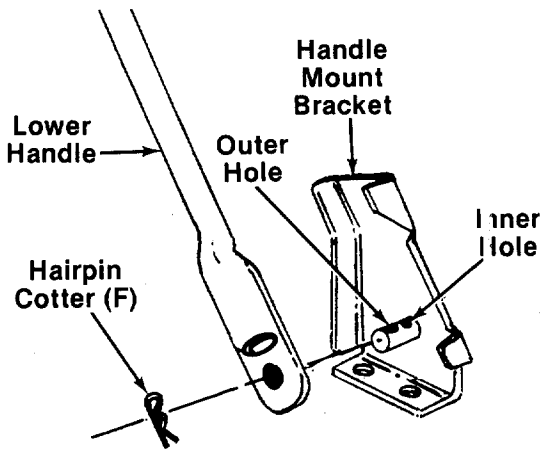


FIGURE 2.

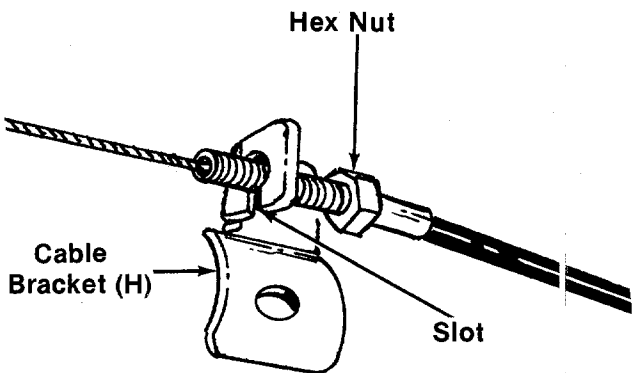


FIGURE 3.

## ASSEMBLY INSTRUCTIONS



This unit is shipped WITHOUT GASOLINE or OIL. After assembly, see separate engine manual for proper fuel and engine oil recommendations.

### ← Contents of Hardware Pack: (See figure 1)

- A (1) Rope Guide Bolt
- B (1) Curved Head Carriage Bolt
- C (2) Lock Washers 5/16" I.D.
- D (2) Hex Nuts 5/16-18 Thread
- E (2) Cable Ties
- F (2) Hairpin Cotters
- G (1) Plastic Plug
- H (1) Cable Bracket

1. Remove lawn mower and loose parts from carton. Make certain all parts and literature have been removed from the carton before the carton is discarded.
2. Extend the control cables and place on the floor. Be careful not to bend or kink control cables.
3. Attach the lower handle by placing the bottom holes in the lower handle over the weld pins on the handle mount brackets. Make certain the instruction label on the lower handle can be read from the operating position. Secure with hairpin cotters (F) in inner holes on weld pins. See figure 2.



There are two (2) holes in the handle mount brackets. Place the hairpin cotter in the inner hole for operation. Outer hole is for storage.



It may be necessary to bend the ends of the lower handle outward slightly to obtain a tight fit against the handle mount brackets.

4. The clutch cable is attached to the drive cover, and has a spring on the loose end. Remove one hex nut from the end of the cable. Hold the cable bracket (H) as shown in figure 3. Slip the wire through the slot on cable bracket. Push end of cable up through the hole in the bracket. See figure 3. Start hex nut back on the end of the clutch cable. Do not tighten at this time.

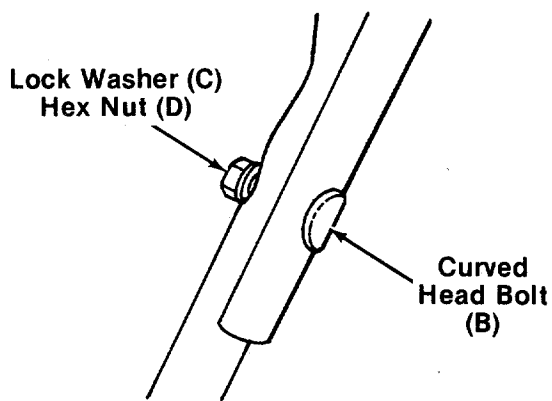


FIGURE 4.

5. Place the upper handle in position over the lower handle. The control housing must be on the left hand side of the handle. Secure the left hand side of upper handle using the curved head bolt (B), lock washer (C) and hex nut (D) as shown in figure 4.

**NOTE**

The right hand side of the handle will be secured with the rope guide bolt. However, left handed operators may assemble the rope guide bolt to the left side of the handle for easier starting. The cable bracket must still be assembled to the right hand side of handle.

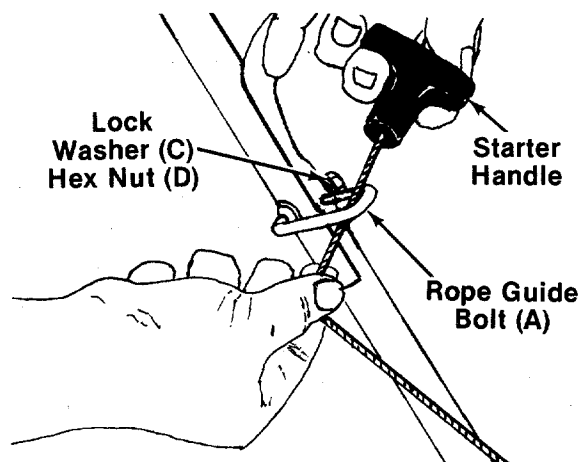


FIGURE 5.

6. Insert the rope guide bolt (A) through the right hand side of upper and lower handle.
7. The starter rope is wound around the starter handle. Maintain the tension on the rope as you unwind it.
8. Slip the starter rope into the rope guide bolt as shown in figure 5. If more slack is needed in the starter rope, disconnect and ground the spark plug wire. Depress the blade control handle and pull additional rope out from the engine.

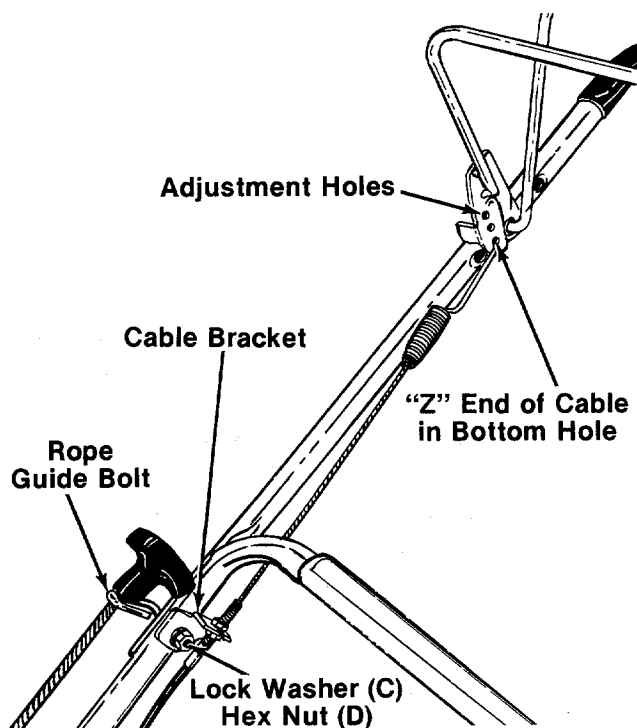


FIGURE 6.

9. Route the clutch cable under the lower handle. Hook the "Z" end of the clutch cable into the bottom adjustment hole in the clutch control handle. See figure 6.
10. Place the clutch cable bracket on the rope guide bolt. See figure 6. Secure with lock washer (C) and hex nut (D).

**NOTE**

The final adjustment of the clutch cable must be made before the engine is started as described in step 20.

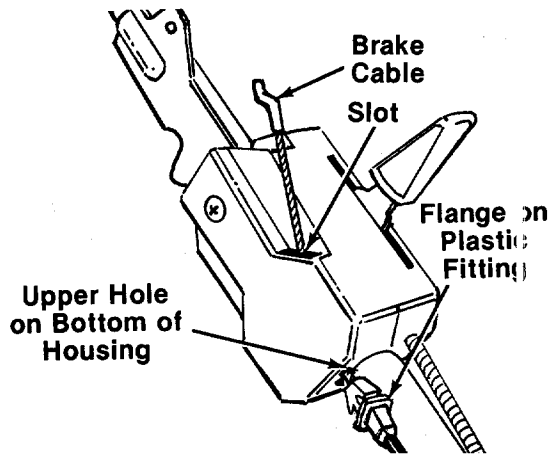


FIGURE 7.

11. The brake cable is attached to the engine. Route the brake cable under the lower handle. Place the end of the brake cable into the upper hole on the bottom of the control housing, and through the slot in the side of the housing as shown in figure 7. The angle of the flange on the plastic fitting must be positioned downward as shown. Be careful not to bend or kink the cable.



Brake cable must be assembled as shown for proper blade brake operation.

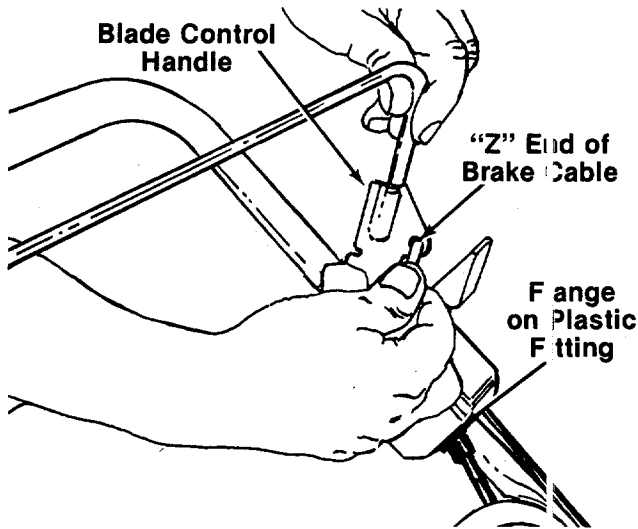


FIGURE 8.

12. Snap the plastic fitting on the end of the cable into the control housing.
13. Hook the "Z" end of the brake cable into the hole in the blade control handle. See figure 8. If additional slack is needed in order to hook the cable into the handle, proceed as follows.

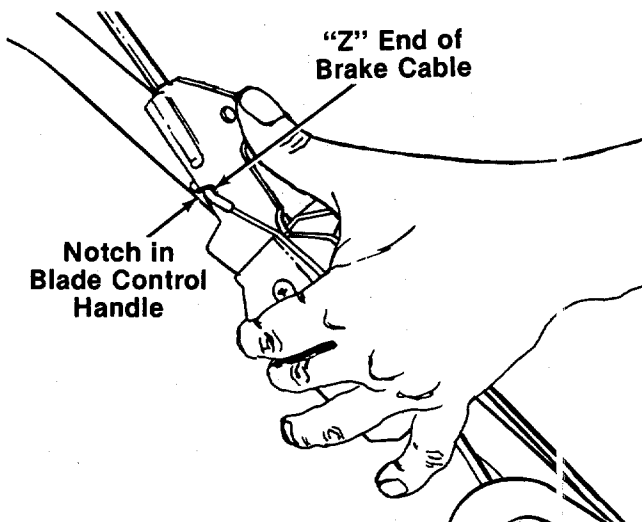


FIGURE 9.

- a. Hook the "Z" end of the cable into notch provided in the blade control handle. See figure 9.
- b. Squeeze blade control handle against upper handle.
- c. Release the blade control handle, unhook the cable from the notch and hook it into the hole in the blade control handle.

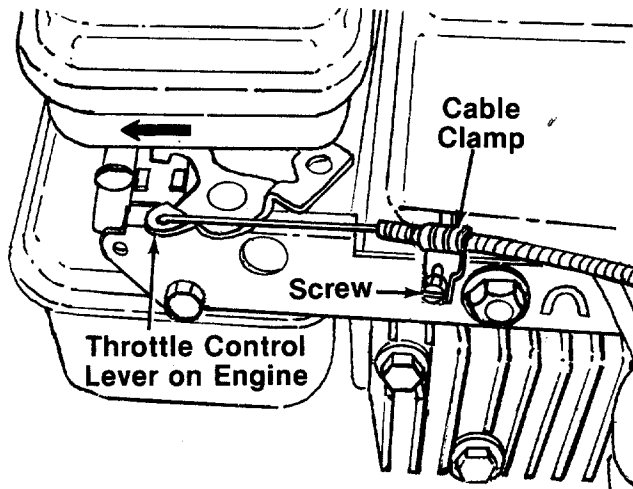


FIGURE 10.

14. Place the throttle control lever on the handle in "Fast" position.
15. Push the throttle control lever on the engine to the full open position (as far toward the outside of the unit as it will go) as shown in figure 10.
16. The throttle control cable is attached to the upper handle. Hook the "Z" end of the throttle control cable into the hole in the control lever on the engine.

**NOTE**

If there are two holes in the throttle control lever on the engine, hook the throttle control cable into the outside hole.

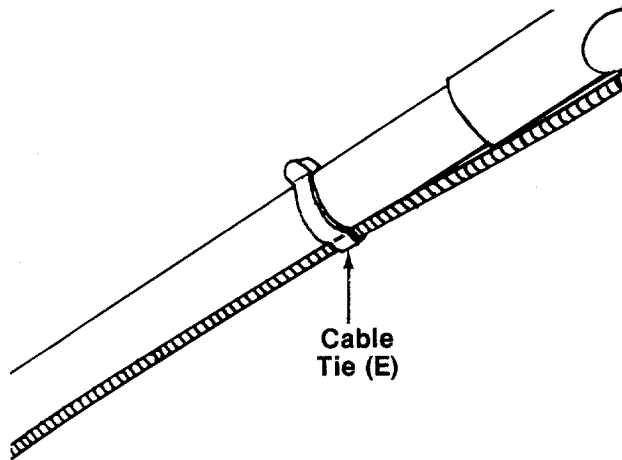


FIGURE 11.

17. Remove the screw on the cable clamp shown in figure 10. Slip the control casing under the clamp. With the throttle lever on the engine still in the full open position, tighten the screw to secure the throttle control cable.
18. Loosen the screw on the clamp on the side of the engine. Secure the cable **away from the muffler**. Be careful not to bend or kink the cable. Tighten the screw.
19. Secure throttle control and brake cables to upper and lower handles with cable ties (E). See figure 11.

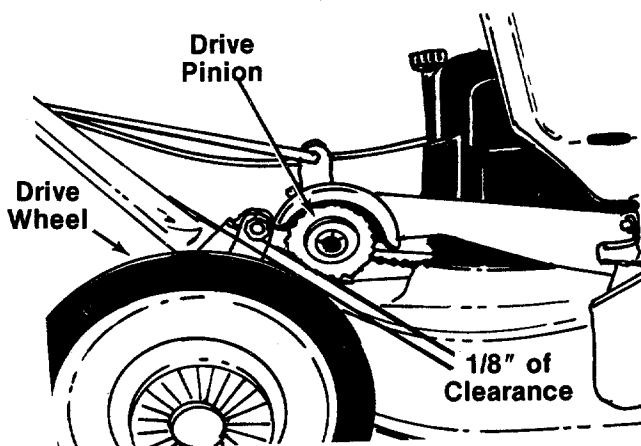
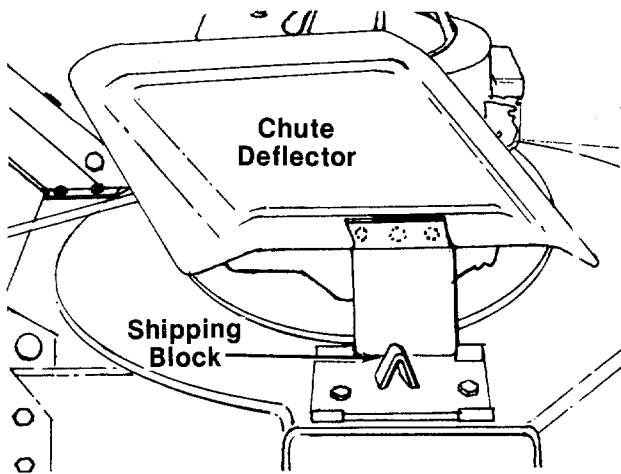


FIGURE 12.

20. Adjust the clutch cable by adjusting the hex nuts at the cable bracket. Correct adjustment is as follows.  
The drive pinions should be approximately 1/8" from the drive wheels when the clutch is disengaged (clutch control handle is **not** squeezed against upper handle). See figure 12.  
When the clutch control is engaged, the drive pinions should press against the tires. If further adjustment is needed, refer to adjustment section of this manual.
21. Insert plastic plug (G) into hole in the top rear of the deck by slipping one end of plug into hole, then pressing down on the other end of plug.
22. Check **all** nuts and bolts for correct tightness.



**CAUTION**

Please note that the chute deflector on your mower is in an upright position. It is held in that position by a shipping block. This block is used for shipping purposes only. It must be removed and discarded before your mower is put into operation. See figure 13.

FIGURE 13.

**CONTROLS**

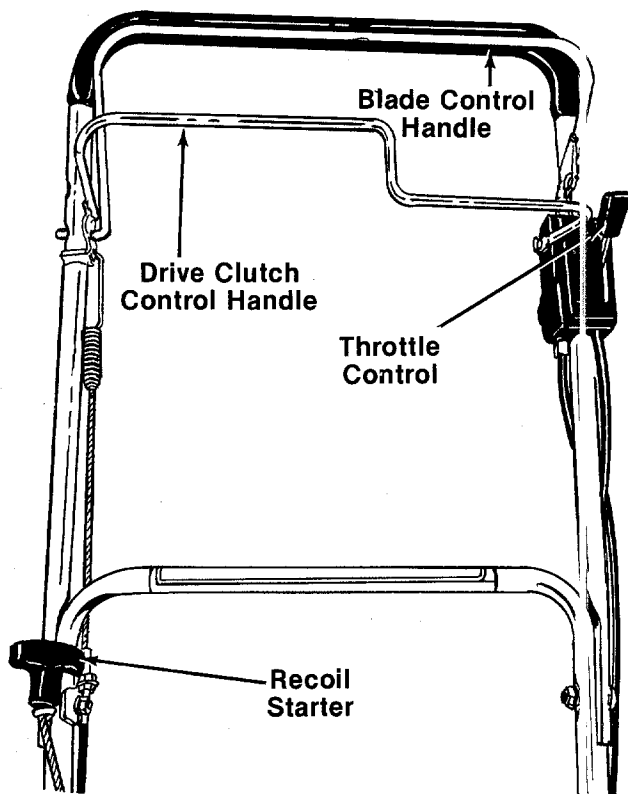


FIGURE 14.

The blade control handle is located on the upper handle of the mower. See figure 14. The blade control handle must be depressed in order to operate the unit. Release the blade control handle to stop the engine and blade.



**WARNING**

The blade will be rotating whenever the engine is running.

**THROTTLE CONTROL**

The throttle control is located on the left side of the upper handle. It is used to regulate the engine speed. The engine should be started with the engine in the FAST or START position.



**WARNING**

The throttle control cannot be used to stop the engine.

**RECOIL STARTER**

The recoil starter handle is attached to the handle. See figure 14. Stand behind the unit in the operating position to start the unit.

**BLADE CONTROL HANDLE**

**WARNING**  
 THIS CONTROL MECHANISM IS A SAFETY DEVICE NEVER ATTEMPT TO BYPASS ITS OPERATIONS

**DRIVE CLUTCH CONTROL**

Squeezing the drive clutch control handle engages the drive mechanism to the rear wheels. Releasing the clutch control stops the rear wheels from driving. Release the drive clutch control to slow down when negotiating an obstacle, making a turn or stopping. See figure 14.



# OPERATION



FIGURE 15.

Keep hands and feet away from the chute area on cutting deck. See figure 15.



For shipping purposes your mower is set with the wheels in a low cutting height position. For best results raise the cutting position until it is determined which height is best for your lawn. See cutting height adjustment section.

## BEFORE STARTING

1. Fill sump with oil as instructed in the separate engine manual packed with your unit.
2. Fill fuel tank, using clean, fresh, unleaded, low-lead or regular grade leaded gasoline. Fill tank completely!  
DO NOT MIX OIL WITH GASOLINE.
3. Attach spark plug wire to spark plug.
4. Before each use, check drive clutch adjustment. When the clutch handle is engaged, the black nylon drive pinions should press against the tires. When the clutch handle is released, the pinions should clear the wheels by approximately 1/8". See drive clutch adjustment on page 10 for further details.



When starting the unit for the first time, face the mower against a solid object such as a wall, fence, etc. Start the unit, and if it shows any signs of motion with the drive clutch control disengaged, shut the engine off immediately. Refer to page 10 for further instructions on the drive clutch adjustment.

## TO START ENGINE AND ENGAGE BLADE

1. Move the throttle control lever to FAST or START position.
2. Standing behind the unit, depress the blade control handle and hold it against the upper handle. Be certain the drive clutch handle is released.
3. Grasp the recoil starter handle as shown and pull up rapidly. Return it slowly to the rope guide bolt.
4. After engine starts, move throttle control to desired engine speed.

## TO STOP ENGINE AND BLADE

1. Release the blade control handle to stop the engine and blade.



The blade continues to rotate for a few seconds after the engine is shut off.

2. Disconnect the spark plug wire and ground it against the engine to prevent accidental starting while equipment is unattended.

## USING YOUR ROTARY MOWER

Be sure that lawn is clear of stones, sticks, wire, or other objects which could damage lawn mower or engine. Such objects could be accidentally thrown by the mower in any direction and cause serious personal injury to the operator and others.

Operate a new engine at intermediate speeds and light load for the first few hours as you would a new automotive engine.

For best results, do not cut wet grass because it tends to stick to the underside of the mower, preventing proper discharge of grass clippings, and could cause you to slip and fall. New grass, thick grass or wet grass may require a narrower cut. Blade speed should be adjusted to the condition of the lawn.

The best mowing pattern is one that allows the clippings to discharge towards the uncut part of the lawn. This permits recutting of the clippings to further pulverize them. When cutting high weeds, discharge towards cut portion, then recut at right angles to first direction.

For best results, cut off one-third or less of the total length of the grass. Lawn should be cut in the fall as long as there is growth.

This mower is designed to be operated at full throttle to give you the best cut and do the most effective job of bagging the cut grass.

## ➔ IMPORTANT

If you strike a foreign object, stop the engine. Remove wire from spark plug, thoroughly inspect the mower for any damage, and repair the damage before restarting and operating the mower. Extensive vibration of the mower during operation is an indication of damage. The unit should be promptly inspected and repaired.

## ADJUSTMENTS



Do not at any time make any adjustment to lawn mower without first stopping engine and disconnecting spark plug wire.

### CUTTING HEIGHT ADJUSTMENT

An adjusting plate and thumb lever at each wheel position provides cutting height adjustment. Each adjusting plate has nine positions. Height of cut will be changed when the thumb lever is moved from one hole to another. Simply depress the lever towards wheel and move wheel and lever assembly to desired position. See figure 16.

Cutting height will be raised as the rear levers are lowered and the front levers are moved toward the front of the unit. Cutting height will be lowered as the rear levers are raised and the front levers are moved toward the rear of the unit. All wheels must be positioned at the same relative height.

For rough or uneven lawns, move the wheels to a position which will give a higher cutting height.

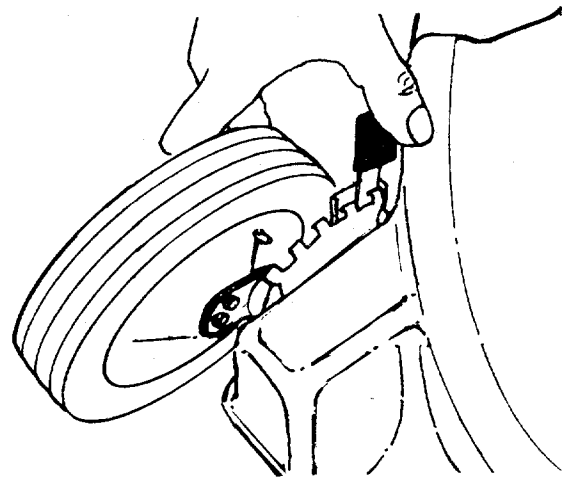


FIGURE 16.

### DRIVE CLUTCH ADJUSTMENT

The drive pinions should be approximately 1/8" from the drive wheels when the clutch is disengaged (clutch handle is released). Refer to figure 12.

If there is not 1/8" of clearance, adjust the hex nuts at the cable bracket until 1/8" of clearance is obtained and the drive mechanism engages properly.

If additional adjustment is needed, unhook the cable from the clutch handle and move it to the next higher adjustment hole provided. Refer to figure 6. Then readjust the hex nuts at the cable bracket.

### CHAIN ADJUSTMENT

Check for correct chain adjustment and alignment after first five to ten hours of operation. Adjust as follows:

1. Loosen (do not remove) the hex bolt on each side of the pinion pivot plate. See figure 17.

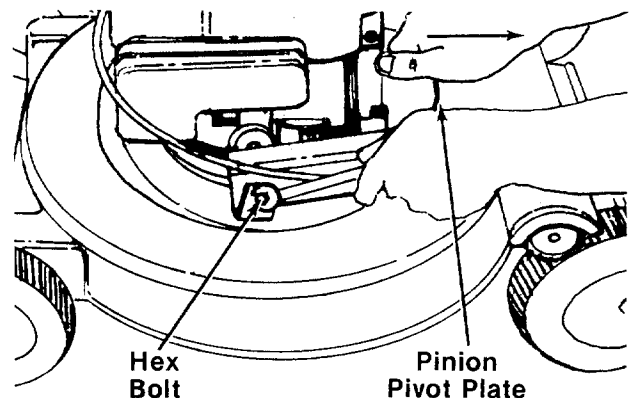


FIGURE 17.

2. Pull back on the left side of the pivot plate, by hand, until the proper chain tension is achieved. Tighten the hex bolt.
3. Pull back on the right side of the pivot plate until the clearance between the pinion and wheel is equal on both sides. Tighten the hex bolt.
4. Recheck for correct adjustment periodically.

## THROTTLE

If adjustment becomes necessary, the throttle control wire assembly can be reset as follows:

1. Loosen, but do not remove, screw securing throttle control wire assembly at engine. See figure 10.
2. Move throttle control lever on handle to "FAST" position.
3. Move control lever on engine to full open position. Retighten screw to secure throttle control wire assembly.

## CARBURETOR ADJUSTMENTS



If any adjustments are made to the engine while the engine is running (e.g. carburetor), keep clear of all moving parts. Be careful of heated surfaces and muffler.

Minor carburetor adjustment may be required to compensate for differences in fuel, temperature, altitude and load.

Refer to the separate engine manual packed with your mower for carburetor adjustment information.

## LUBRICATION



Always stop engine and disconnect spark plug wire before cleaning, lubricating or doing any kind of work on lawn mower.

**Blade Control**—Lubricate the pivot points on the blade control handle and the brake cable at least once a season with light oil. The blade control must operate freely in both directions.

**Chute Deflector**—The torsion spring and pivot point should be lubricated periodically with light oil to prevent any rust or binding. Deflector must work freely.

**Wheels**—Mower may be provided with ball bearing wheels. Lubricate at least once a season with light oil. Also, if the wheels are removed for any reason, lubricate the surface of the axle bolt and the inner surface of the wheel with light oil. A 4 oz. plastic bottle of light oil lubricant is available. Order part number 737-0170. Engine oil may also be used.

**Engine**—Follow engine manual for lubrication instructions.

**Throttle**—Periodically lubricate throttle control lever and throttle wire assembly with a few drops of light oil for ease of operation.

**Chain**—The chain should be lubricated periodically with a few drops of light oil to prevent any rust or binding. Use very little or no oil if unit is being used in a dusty or sandy area.

## MAINTENANCE



When tipping the unit, empty the fuel tank and keep engine spark plug side up.

### CUTTING BLADE

#### A. Removal for Sharpening or Replacement



Be sure to disconnect and ground the spark plug wire before working on the cutting blade to prevent accidental engine starting.

Remove the large bolt and lock washer which holds the blade and adapter to the engine crankshaft. Remove the blade and adapter from the crankshaft.

If the blade or blade adapter needs replacing, remove the two small bolts, lock washers and nuts which hold the blade to the adapter.



Periodically inspect the blade adapter for cracks, especially if you strike a foreign object. Replace when necessary.

## B. Sharpening

Remove the cutting blade by following the directions of the preceding section.

When sharpening the blade, follow the original angle of grind as a guide. It is **extremely important** that each cutting edge receives an equal amount of grinding to prevent an unbalanced blade. An unbalanced blade will cause excessive vibration when rotating at high speeds, may cause damage to the mower and could break, causing personal injury.

It is recommended that the blade always be removed from the adapter for the best test of balance. The blade can be tested by balancing it on a round shaft screwdriver. Remove metal from the heavy side until it balances evenly.

## C. Reassembly

Before reassembling the blade and the blade adapter to the unit, lubricate the engine crankshaft and the inner surface of the blade adapter with light oil. Lubricating the bolt holes, bolts and inner surface of the nuts with light oil is also recommended. A 4 oz. plastic bottle of light oil lubricant is available. Order part number 737-0170. Engine oil may also be used.

When replacing the blade, be sure to install the blade with the side of the blade marked "Bottom" (or with part number) facing the ground when the mower is in the operating position.

### Blade Mounting Torque

3/8" Dia. Bolt 375 in. lb. min., 450 in. lb. max.  
5/16" Dia. Bolt 150 in. lb. min., 250 in. lb. max.

To insure safe operation of your unit, **all** nuts and bolts must be checked periodically for correct tightness.

To insure safe operation of your unit, **all** nuts and bolts must be checked periodically for correct tightness.

## DECK

The underside of mower deck should be cleaned after each period of use as grass clippings, leaves, dirt and other matter will accumulate. This accumulation of grass clippings, etc., is undesirable as it will invite rust and corrosion and may cause an uneven discharge of grass clippings at the next cutting.

The deck may be cleaned by tilting the mower forward or on its side and scraping clean with a suitable tool or by washing with a stream of water from a garden hose.



## NOTE

Do not direct the stream of water at a hot engine as damage to the engine may result.

## ENGINE OIL

Check oil level before starting engine and after every 5 hours of operation. ADD oil as necessary to keep level to full mark on dipstick. Before removing dipstick, clean area around dipstick to prevent dirt from entering oil fill tube. Engine should be in a level position when checking oil.

Change oil after first 5 hours of operation. Thereafter change every 25 hours. Change oil while engine is warm. Oil may be drained thru oil drain on bottom of the engine. Oil capacity 1 1/4 pints.

## AIR CLEANER

Service air cleaner every 25 hours under normal conditions. Clean every few hours under extremely dusty conditions. Poor engine performance and flooding usually indicates that the air cleaner should be serviced.

To service the air cleaner, refer to the separate engine manual packed with your unit.

## SPARK PLUG

The spark plug should be cleaned and the gap reset once a season. Spark plug replacement is recommended at the start of each mowing season; check engine manual for correct plug type and gap specifications.

## OFF-SEASON STORAGE

The following steps should be taken to prepare lawn mower for storage.

1. Clean and lubricate mower thoroughly as described in the lubrication instructions.
2. Refer to engine manual for correct engine storage instructions.
3. Coat mower's cutting blade with chassis grease to prevent rusting.
4. Store mower in a dry, clean area.



## NOTE

When storing any type of power equipment in an unventilated or metal storage shed, care should be taken to rustproof the equipment. Using a light oil or silicone, coat the equipment, especially chains, springs, cables and all moving parts.

 **NOTE**

The use of any accessory on this Rotary Mower other than those manufactured by the mower manufacturer is **not** recommended.

GRASS CATCHER Model 065 is available as optional equipment for the mower shown in this manual.



**WARNING**

1. DO NOT operate the mower without the entire grass catcher or chute deflector in place.
2. DO NOT operate the mower without the protective shield on the rear of the deck in place.

 **NOTE**

Under normal usage bag material is subject to wear and should be checked periodically. Be sure any replacement bag complies with the mower manufacturer's recommendations.

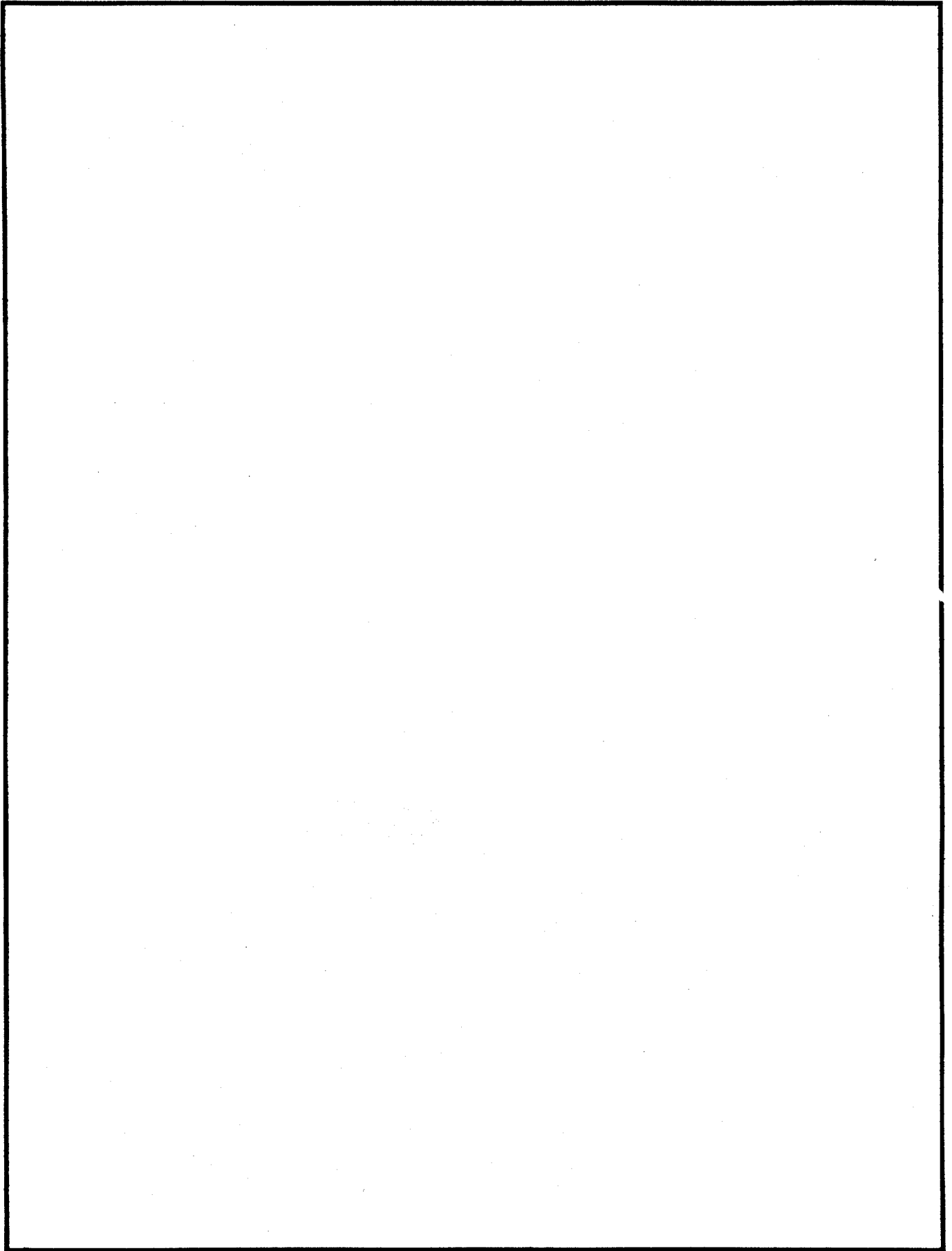
For replacement bags, use only factory authorized replacement bag No. 764-0217.

## Trouble Shooting Chart

Problem	Cause	Remedy
1 Engine fails to start	<p><b>A</b> Blade control handle disengaged</p> <p><b>B</b> Check fuel tank for gas</p> <p><b>C</b> Spark plug lead wire disconnected.</p> <p><b>D</b> Throttle control lever not in the starting position</p> <p><b>E</b> Faulty spark plug</p> <p><b>F</b> Carburetor improperly adjusted, engine flooded</p> <p><b>G</b> Old stale gasoline</p> <p><b>H</b> Engine brake engaged</p>	<p><b>A</b> Engage blade control handle.</p> <p><b>B</b> Fill tank if empty.</p> <p><b>C</b> Connect lead wire.</p> <p><b>D</b> Move throttle lever to start position.</p> <p><b>E</b> Spark should jump gap between control electrode and side electrode. If spark does not jump, replace the spark plug.</p> <p><b>F</b> Remove spark plug, dry the plug, crank engine with plug removed, and throttle in off position. Replace spark plug and lead wire and resume starting procedures.</p> <p><b>G</b> Drain and refill with fresh gasoline.</p> <p><b>H</b> Follow starting procedure.</p>
2 Hard starting or loss of power	<p><b>A</b> Spark plug wire loose</p> <p><b>B</b> Carburetor improperly adjusted</p> <p><b>C</b> Dirty air cleaner</p>	<p><b>A</b> Connect and tighten spark plug wire.</p> <p><b>B</b> Adjust carburetor. See separate engine manual.</p> <p><b>C</b> Clean air cleaner as described in separate engine manual.</p>
3 Operation erratic	<p><b>A</b> Dirt in gas tank</p> <p><b>B</b> Dirty air cleaner</p> <p><b>C</b> Water in fuel supply</p> <p><b>D</b> Vent in gas cap plugged</p> <p><b>E</b> Carburetor improperly adjusted</p>	<p><b>A</b> Remove the dirt and fill tank with fresh gas.</p> <p><b>B</b> Clean air cleaner as described in separate engine manual.</p> <p><b>C</b> Drain contaminated fuel and fill tank with fresh gas.</p> <p><b>D</b> Clear vent or replace gas cap.</p> <p><b>E</b> Adjust carburetor. See separate engine manual.</p>
4 Occasional skip (hesitates) at high speed	<p><b>A</b> Carburetor idle speed too slow</p> <p><b>B</b> Spark plug gap too close</p> <p><b>C</b> Carburetor idle mixture adjustment improperly set</p>	<p><b>A</b> Adjust carburetor. See separate engine manual.</p> <p><b>B</b> Adjust to .030".</p> <p><b>C</b> Adjust carburetor. See separate engine manual.</p>
5 Idles poorly	<p><b>A</b> Spark plug fouled, faulty, or gap too wide</p> <p><b>B</b> Carburetor improperly adjusted</p> <p><b>C</b> Dirty air cleaner</p>	<p><b>A</b> Reset gap to .030" or replace spark plug.</p> <p><b>B</b> Adjust carburetor. See separate engine manual.</p> <p><b>C</b> Clean air cleaner as described in separate engine manual.</p>
6 Engine overheats	<p><b>A</b> Carburetor not adjusted properly</p> <p><b>B</b> Air flow restricted</p> <p><b>C</b> Engine oil level low</p>	<p><b>A</b> Adjust carburetor. See separate engine manual.</p> <p><b>B</b> Remove blower housing and clean as described in separate engine manual.</p> <p><b>C</b> Fill crankcase with the proper oil.</p>
7 Excessive vibration	<p><b>A</b> Cutting blade loose or unbalanced</p> <p><b>B</b> Bent cutting blade</p>	<p><b>A</b> Tighten blade and adapter. Balance blade.</p> <p><b>B</b> Replace blade.</p>

**Note:** For repairs beyond the minor adjustments listed above, contact your local authorized service dealer.

# NOTES

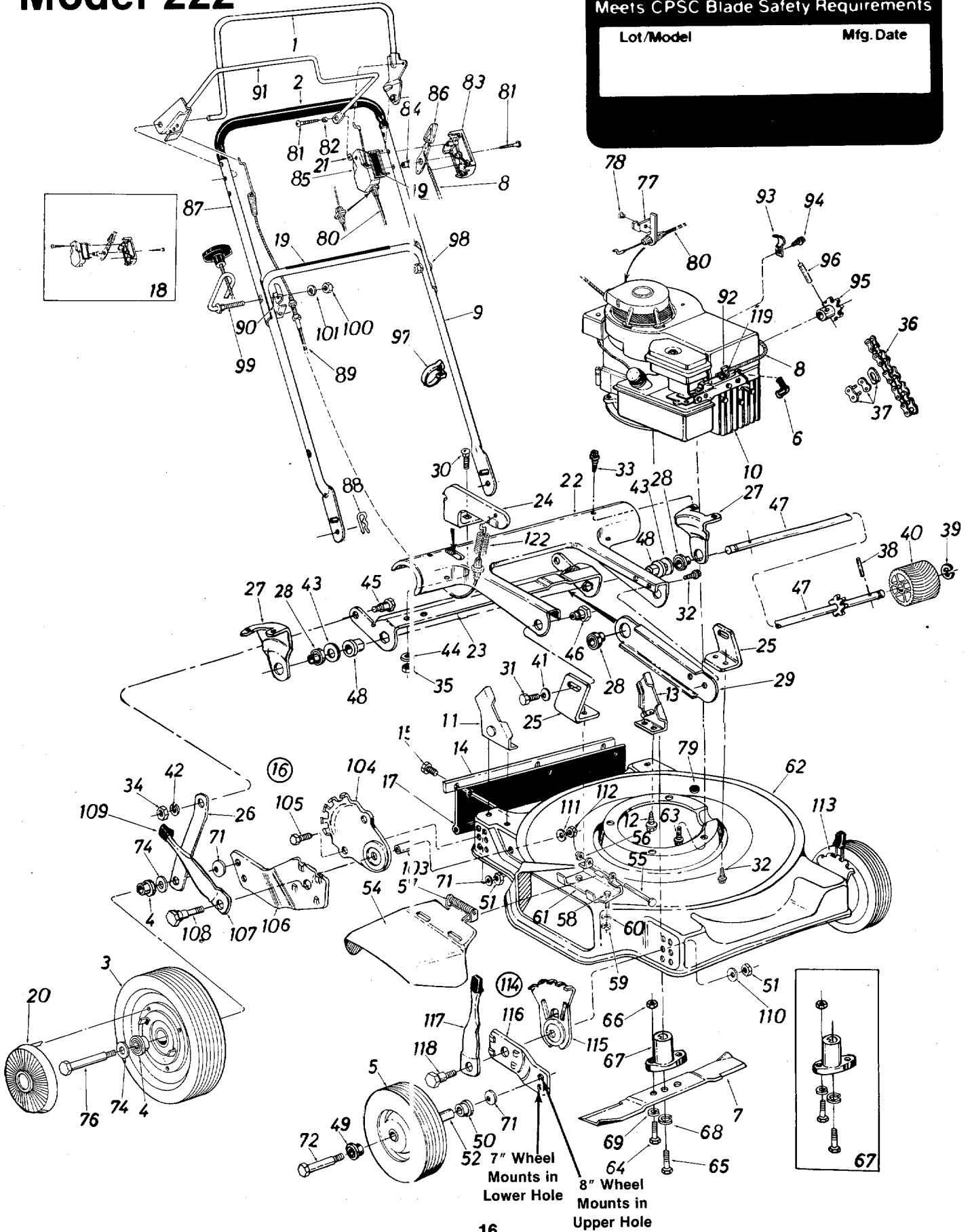


# Model 222

Meets CPSC Blade Safety Requirements

Lot/Model

Mfg. Date





# Model 222

## PARTS LIST FOR MODEL 222 ROTARY MOWER

REF. NO.	PART NO.	COLOR CODE	DESCRIPTION	NEW PART	REF. NO.	PART NO.	COLOR CODE	DESCRIPTION	NEW PART
1	14321		Control Handle Ass'y.—L.H.		46	738-0529		Shld. Nut .625" Dia. x .162	
2	718-0145		Grip (Optional)		47	738-0530		Pinion Shaft w/7 Tooth Sprocket	
3	734-1204		Rear Wheel Ass'y. Comp.— 9 x 1.75		48	741-0484		Flange Brg. .506" I.D.	
4	741-0180		Flange Brg.—½" I.D.		49	**		Bearing	
5	**		Front Wheel Ass'y. Comp.		50	**		Bearing	
6	735-0639		Spark Plug Boot		51	712-0798		Hex Nut 3/8-16 Thd.*	
7	742-0125		Blade 22"		52	**		Spacer (Used w/Ball Brgs. Only)	
8	746-0474		Throttle Wire—53.0"					Chute Deflector Ass'y. Comp.	
9	749-0373		Lower Handle (Chrome)		54	14944			
	749-0372		Lower Handle (Painted)					Pivot Pin	
10	—		Engine		55	711-0555		Cap Speed Nut ¼" Rod	
11	12936		Handle Brkt. Ass'y.—R.H.		56	726-0106		Torsion Spring	
12	710-0603		Hex Wash. Hd. "B"-Tap Scr. 5/16-18 x .50" Lg.		57	732-0253		Hex Bolt ¼-20 x .50" Lg.*	
					58	710-0289		Hex Nut ¼-20 Thd.*	
13	12935		Handle Brkt. Ass'y.—L.H.		59	712-0287		L-Wash. ¼" I.D.*	
14	14846		Retainer Strip		60	736-0329		Hinge Plate	
15	710-0776		Hex AB-Tap Scr. ¼ x .62" Lg.		61	11130		22" Deck Ass'y.	
					62	14999 —462		Hex Wash. Hd. TT-Tap Scr. 3/8-16 x 1.0" Lg.	
16	14762		R.H. Height Adj. Comp.		63	710-0654		Hex Bolt 5/16-24 x 1.00" Lg. (Grade 5)	
	14763		L.H. Height Adj. Comp. (Not Shown)		64	710-0888		Hex Bolt 3/8-24 x 2.25" Lg. (Grade 5)	
17	731-0575		Rear Flap Ass'y.		65	710-0331		Hex Nut 5/16-24 Thd.	
18	753-0360		Kit—Control Housing Comp.		66	712-0123		Blade Adapter Kit	
19	777-5168		Control Labels	N	67	753-0348		L-Wash. 3/8" I.D.—H.D.	
20	**		Hub Cap		68	736-0217		L-Wash. 5/16" I.D.*	
21	736-0931		Flat Wash. .203" I.D. x .406" O.D.		69	736-0119		Bell-Wash. .400" I.D. x .88" O.D.	
22	16319 —462		Pinion Pivot Cover 22"	N	70	736-0105		Front Axle Bolt	
23	16332		Cam	N	71	**		L-Wash. 3/8" I.D.*	
24	16318		Engagement Arm	N	72	736-0169		FI-Wash. .531" I.D. x .93" O.D.	
25	14759		Pivot Brkt.		73	736-0192		Rear Axle Bolt	
26	14760		Link 4.58 x .88		74	738-0144		Cable Bracket	
27	14757		Axle Brkt.		75	14924		Pop Rivet .156" Dia. x .379	
28	741-0180		Flanged Ball Brg. .500" I.D.		76	728-0171		Plug	
29	14877		Brg. Support		77	731-0564		Control Cable—39.0"	
30	710-0167		Carriage Bolt ¼-20 x .50" Lg.*		78	746-0476		Truss Mach. Self-Tap Scr. #12 x 1.50" Lg.	
31	710-0168		Hex Bolt 3/8-16 x .50" Lg.*		79	710-0796		Spacer .23" I.D.	
32	710-0352		Hex "B"-Tap Scr. ¼" x .38" Lg.		80	750-0649		Control Panel Half	
33	710-0776		Hex Wash. Hd. "AB"-Tap Scr. ¼" x .62" Lg.		81	731-0523		Control Disc Pin	
34	712-0267		Hex Nut 5/16-18 Thd.*		82	731-0524		Clutch Panel Half	
35	712-0287		Hex Nut ¼-20 Thd.*		83	731-0526		Throttle Control Lever	
36	713-0311		#48 Chain ½" Pitch 49 Links		84	731-0528		Upper Handle (Chrome)	
37	713-0116		#48 Master Link (Service Only)		85	749-0536		Upper Handle (Painted)	
38	715-0246		Spring Pin Spir. 3/16" Dia. x 1.25" Lg.		86	749-0538		Hairpin Cotter	
39	716-0104		"E"-Ring for .500" Dia. Shaft		87	714-0104		Clutch Cable w/Spring	
40	717-0807		Drive Pinion		88	746-0549		Cable Mtg. Brkt.	N
41	736-0105		Bell-Wash. .400" I.D. x .88" O.D. x .060		89	16309		Drive Control Handle	N
42	736-0119		L-Wash. 5/16" I.D.*		90	16391		Casing Clamp	
43	736-0160		FI-Wash. .531" I.D. x .930" O.D. x .050		91	751-0369		Casing Clamp	
44	736-0329		L-Wash. ¼" I.D.*		92	12894		Hex "B"-Tap Scr. #10 x .38"	
45	738-0155		Shld. Bolt .437" Dia. x .162		93	710-0429		10 Tooth Sprocket Ass'y.	
					94	713-0308		Spiral Pin 3/16" Dia. x 1.00"	
					95	715-0247		Cable Tie	
					96	726-0192			
					97				

# Model 222

## PARTS LIST FOR MODEL 222 ROTARY MOWER (CONTINUED)

REF. NO.	PART NO.	COLOR CODE	DESCRIPTION	NEW PART	REF. NO.	PART NO.	COLOR CODE	DESCRIPTION	NEW PART
98	710-0671		Curved Hd. Carriage Bolt 5/16-18 x 1.38" Lg.		111	736-0242		Bell-Wash. .336" I.D. x .860 O.D.	
99	710-0842		Rope Guide Bolt		112	712-0158		Hex L-Nut 5/16-18 Thd.	
100	712-0267		Hex Nut 5/16-18 Thd.*		113	14579		Height Adj. Ass'y.—Comp. —L.H.	
101	736-0119		L-Wash. 5/16" I.D.*					Height Adj. Ass'y.—Comp. —R.H.	
103	750-0503		Spacer .395" I.D. x .503" O.D. x .562" Lg.		114	14578		Height Adj. Plate	
104	14764		Index Plate		115	15261		Pivot Bar	
105	710-0216		Hex Bolt 3/8-16 x .75" Lg.*		116	15262		Spring Lever Ass'y. w/Knob	
106	14765		Pivot Bar R.H.		117	14832		Shoulder Bolt .500" Dia. x .375" Lg.	
	14766		Pivot Bar L.H. (Not Shown)		118	738-0507		Hex Wash. Hd. AB-Tap Scr. #8 x .38" Lg.	
107	732-0417		Spring Lever					Compression Spring .47" O.D. x 1.93" Lg.	
108	738-0528		Shoulder Bolt .500" Dia. x 3.75" Lg.		119	710-0227		Hardware Pack	
109	720-0190		Spring Lever Knob		122	732-0306			
110	736-0331		Bell-Wash. .39 I.D. x 1.13 O.D.		—	8222-000-5			
	736-0356		Bell-Wash. .39 I.D. x 1.4 O.D.						

\*For faster service obtain standard nuts, bolts and washers locally. If these items cannot be obtained locally, order by part number and size as shown on parts list.

(462—Red Flake)

When ordering parts, if color or finish is important, use the appropriate color code shown above. (e.g. Red Flake Finish—14005 (462).)

NOTE: The engine is not under warranty by the mower manufacturer. . . If repairs or service is needed on the engine, please contact your nearest authorized engine service outlet. Check the "Yellow Pages" of your telephone book under "Engines—Gasoline."



### \*\*FRONT WHEEL CHART

Wheel Assembly (8 x 1.75)					Hub Caps	
Smooth	Waffle Tread	Twinline Tread	Bearing	Axle Bolt		
734-0843	734-0894	734-0661	Plastic—741-0262	738-0102	Red	731-0124
734-0845	734-0645	734-0643	3/8" Ball—741-0267	710-0427	Orange	731-0254
			1/2" Ball—741-0484		Black	731-0354
			Spacer—750-0434		Gray	731-0355



#### NOTE

This instruction manual covers various models and all specifications shown do not necessarily apply to your model. Specifications subject to change without notice or obligation.



# PARTS INFORMATION

## POWER EQUIPMENT PARTS AND SERVICE

Parts and service are available through the authorized service firms listed below. All orders should specify the model number of your unit, part numbers, description of parts and the quantity of each part required.

## BRIGGS AND STRATTON, TECUMSEH AND PEERLESS PARTS AND SERVICE

Briggs & Stratton, Tecumseh and Peerless parts and service should be handled by your nearest authorized engine service firm. Check the yellow pages of your telephone directory under the listing **Engines—Gasoline**, Briggs & Stratton or Tecumseh Lauson.

**NOTE:** If any parts are found to be missing or defective upon assembly of this unit, write to advise the factory so that immediate replacement can be made.

<b>ALABAMA</b>	<b>BIRMINGHAM</b>		<b>OHIO</b>	<b>CARROLL</b>
Auto Electric & Carburetor Co. . . . .	2625 4th Ave. S. . . . .	35233	Stebe's Mid-State Mower Supply . . . . .	Box 366, 71 High St. . . . . 43112
<b>ARKANSAS</b>	<b>NORTH LITTLE ROCK</b>			<b>CLEVELAND</b>
Sutton's Lawn Mower Shop . . . . .	5301 Roundtop Drive		Bleckrie, Inc. . . . .	7900 Lorain Ave. . . . . 44102
	Box 368, Rt. 4 . . . . .	'2117		<b>WADSWORTH</b>
<b>CALIFORNIA</b>	<b>PORTERVILLE</b>			687 Seville Rd. . . . . 44281
Billious . . . . .	75 North D Street . . . . .	33257	National Central . . . . .	<b>YOUNGSTOWN</b>
<b>COLORADO</b>	<b>DENVER</b>		Burton Supply Co. . . . .	1301 Logan Ave.
Spitzer Industrial Products Co. . . . .	6601 N.			Box 929 . . . . . 44501
	Washington St. . . . .	30229	<b>OKLAHOMA</b>	<b>MUSKOGEE</b>
<b>FLORIDA</b>	<b>JACKSONVILLE</b>		Victory Motors, Inc. . . . .	605 S. Cherokee . . . . . 74401
Radco Distributors . . . . .	4909 Victor St.		<b>OREGON</b>	<b>PORTLAND</b>
	Box 5459 . . . . .	32207	Kenton Supply Co. . . . .	8216 N. Denver Ave. . . . . 97217
	<b>HIALEAH</b>		<b>PENNSYLVANIA</b>	<b>HARRISBURG</b>
Small Eng. Dist. . . . .	7995 W. 26th Court . . . . .	33016	EECO Inc. . . . .	4021 N. 6th St. . . . . 17110
<b>GEORGIA</b>	<b>EAST POINT</b>			<b>PHILADELPHIA</b>
East Point Cycle & Key Inc. . . . .	2834 Church St. . . . .	30344	Thompson Rubber Co. . . . .	5222-24 N. Fifth St. . . . . 19120
<b>ILLINOIS</b>	<b>LYONS</b>		Bluemont Co. . . . .	<b>PITTSBURGH</b>
Keen Edge Co. . . . .	8615 Ogden Ave. . . . .	30534		11125 Frankstown Rd. . . . . 15235
<b>INDIANA</b>	<b>ELKHART</b>		Frank Roberts & Sons . . . . .	<b>PUNXSUTAWNEY</b>
Parts & Sales Inc. . . . .	2101 Industrial Pkwy. . . . .	46516		R.D. 2 . . . . . 15767
<b>IOWA</b>	<b>DUBUQUE</b>		Scranton Auto Ignition Co. . . . .	<b>SCRANTON</b>
Power Lawn & Garden Equip. . . . .	2551 J.F. Kennedy . . . . .	52001		1133-35 Wyoming Ave. . . . . 18509
<b>LOUISIANA</b>	<b>NEW ORLEANS</b>		<b>TENNESSEE</b>	<b>KNOXVILLE</b>
Suhren Engine Co. . . . .	8330 Earhart Blvd. . . . .	70118	Master Repair Service . . . . .	2000 Western Ave. . . . . 37921
<b>MARYLAND</b>	<b>TAKOMA PARK</b>		American Sales & Service, Inc. . . . .	<b>MEMPHIS</b>
Center Supply Co. . . . .	6867 New Hampshire			3035-43 Bellbrook . . . . . 381
	Ave. . . . .	20912	<b>TEXAS</b>	<b>DALLAS</b>
<b>MASSACHUSETTS</b>	<b>SPRINGFIELD</b>		Marr Brothers, Inc. . . . .	423 E. Jefferson . . . . . 75203
Morton B. Collins Co. . . . .	300 Birnie Ave. . . . .	01107	Woodson Sales Corp. . . . .	<b>FORT WORTH</b>
<b>MICHIGAN</b>	<b>LANSING</b>			6733 Baker Blvd.
Lorenz Service Co. . . . .	2500 S. Pennsylvania . . . . .	48910		Hwy. 10 . . . . . 76118
	<b>MOUNT CLEMENS</b>		Bullard Supply Co. . . . .	<b>HOUSTON</b>
Power Equipment Dist. . . . .	340 Hubbard . . . . .	48043		2409 Commerce St. . . . . 77003
<b>MINNESOTA</b>	<b>HOPKINS</b>		Engine House Inc. . . . .	<b>SAN ANTONIO</b>
Hance Distributing Inc. . . . .	420 Excelsior Ave. W. . . . .	55343		8610 Botts Lane
<b>MISSOURI</b>	<b>KANSAS CITY</b>			P.O. Box 17867 . . . . . 78217
Automotive Equip. Service . . . . .	3117 Holmes St. . . . .	64109	<b>UTAH</b>	<b>BOUNTIFUL</b>
	<b>ST. JOSEPH</b>		Powered Products . . . . .	485 N 500 W. . . . . 84010
Ross-Frazier Supply Co. . . . .	8th and Monterey . . . . .	64503	<b>VIRGINIA</b>	<b>ASHLAND</b>
	<b>ST. LOUIS</b>		RBI Corp. . . . .	101 Cedar Ridge Dr. . . . . 23005
Henzler, Inc. . . . .	2015 Lemay Ferry Rd. . . . .	63125	<b>WASHINGTON</b>	<b>SEATTLE</b>
<b>NEW JERSEY</b>	<b>BELLMAWR</b>		Equip. Northwest . . . . .	1410 14th Ave. . . . . 98122
Lawnmower Parts Inc. . . . .	717 Creek Rd. . . . .	08030	<b>WISCONSIN</b>	<b>CHILTON</b>
<b>NEW MEXICO</b>	<b>ALBUQUERQUE</b>		Horst Dist. Inc. . . . .	444 N. Madison St. . . . . 53014
Spitzer Eng. & Parts Co. . . . .	1023 Third Ave. N.W. . . . .	87103	<b>NORTH CAROLINA</b>	<b>GOLDSBORO</b>
<b>NEW YORK</b>	<b>CARTHAGE</b>		Smith Hardware Co. . . . .	515 N. George St. . . . . 27530
Gamble Dist., Inc. . . . .	West End Ave. . . . .	13619	Dixie Sales Company . . . . .	<b>GREENSBORO</b>
				335 N. Green . . . . . 27402

### WARRANTY PARTS AND SERVICE POLICY

(0484)

The purpose of warranty is to protect the customer from defects in workmanship and materials, defects which are NOT detected at the time of manufacture. It does not provide for the unlimited and unrestricted replacement of parts. Use and maintenance are the responsibility of the customer. The manufacturer cannot assume responsibility for conditions over which it has no control. Simply put, if it's the manufacturer's fault, it's the manufacturer's responsibility; if it's the customer's fault, it's the customer's responsibility.

#### CLAIMS AGAINST THE MANUFACTURER'S WARRANTY INCLUDES:

1. Replacement of Missing Parts on new equipment.
2. Replacement of Defective Parts within the warranty period.
3. Repair of Defects within the warranty period.

All claims MUST be substantiated with the following information:

1. Model Number of unit involved.
2. Date unit was purchased or first put into service.
3. Date of failure.
4. Nature of failure.